

PTA pallet scales – versatile solutions for all industries

Application areas

- Goods receiving and shipping
- Manufacturing
- Packaging

Environments

- Wet or dry
- Nonhazardous
- Hazardous categories 3G/D and 2G/D

Capacities

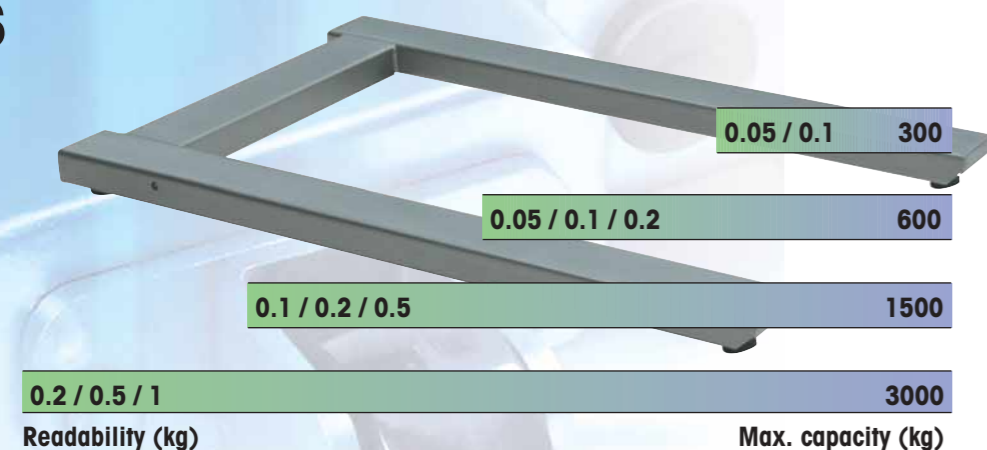
300 – 3000 kg

Certifiable resolution

Single range – multiple range – multi-interval

Interfaces

Analog – digital



You decide where you use it!

Are you looking for a scale to weigh pallets in a dry environment? The rugged, hot-dip galvanized pallet scale PTA455 with its scratch-resistant surface guarantees reliable service for many years.

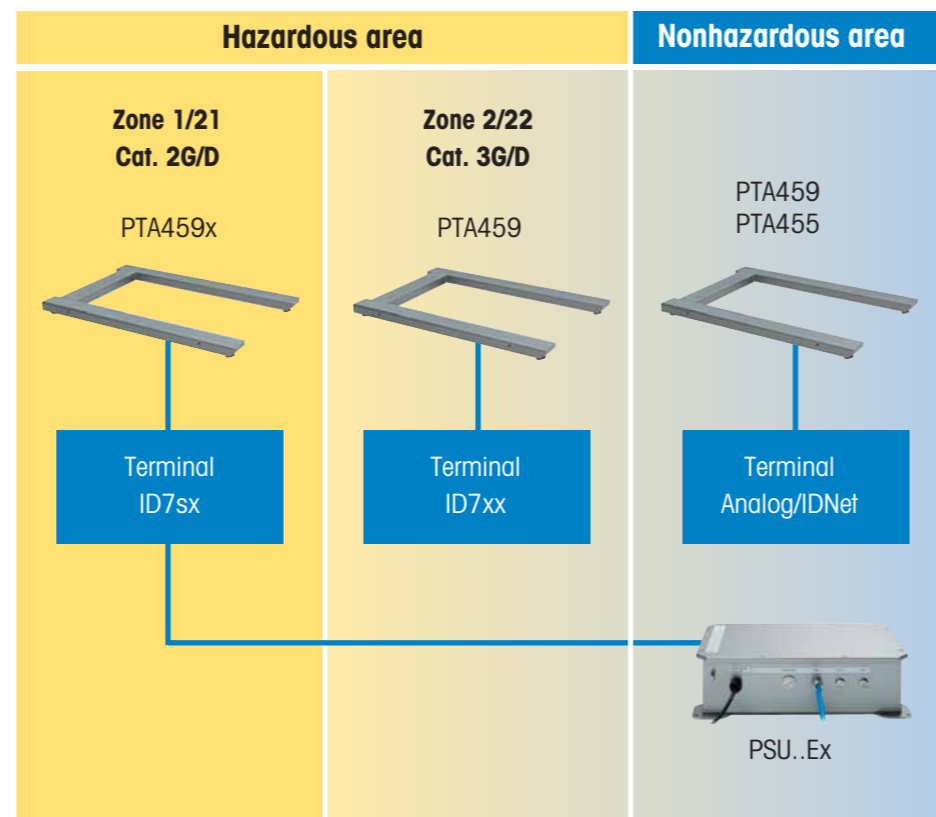
Or are humidity, moisture, and corrosive liquids perhaps an issue? Are you looking for easy-to-clean weighing platforms with high corrosion resistance? If so, the pallet scale PTA459/x made from stainless steel (1.4301 / AISI 304) will serve you well. Because the electronic components in the terminal box and the measuring cell have IP68 protection which makes them ideal for use in wet environments.

Everything depends on the resolution!

Single range – multi range – multi-interval? Select the optimal resolution for your weighing process. All models which have a resolution of 1x3000e as standard are also available with the option of 1x6000e single range, 2x3000e multi range, 2x3000e multi interval, or 3x3000e multi range. The stainless steel standard weighing platforms can be configured on-site with a certifiable multi range resolution of 2x3000e. For non-certifiable use, with the aid of the powerful A/D converter the pallet scale can be operated at a resolution of up to 30.000d (digits).

Weighing range kg	1 x 6000e SR	2 x 3000e MR/MI		3 x 3000e MR		
	kg/kg	kg/kg	kg/kg	kg/kg	kg/kg	kg/kg
300	0.05/300	0.05/150	0.1/300			
600	0.1/600	0.1/300	0.2/600	0.05/150	0.1/300	0.2/600
1500	0.2/1200	0.2/600	0.5/1500	0.1/300	0.2/600	0.5/500
3000	0.5/3000	0.5/1500	1/3000	0.2/600	0.5/1500	1/3000

SR SingleRange, MR MultiRange, MI MultiInterval

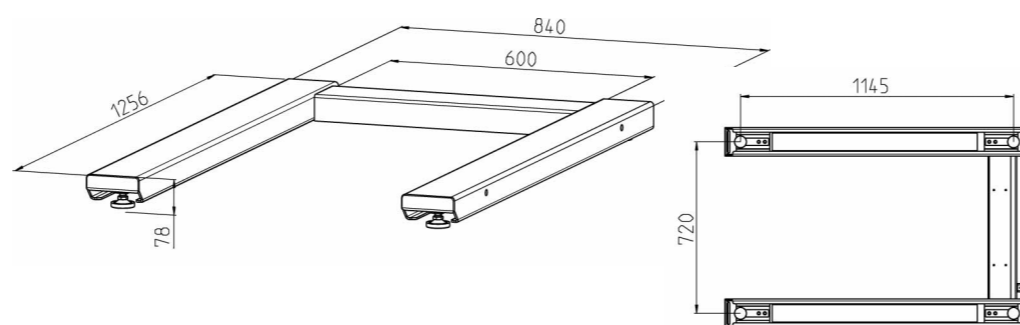


Use in hazardous areas

Is the location of your weighing solution classified according to explosion protection guidelines? We offer the optimal solution for zones 1/21 and 2/22. You can use the standard version of the stainless steel pallet scale in the nonhazardous area as well as in zone 2/22 hazardous areas. In combination with the intrinsically safe ID7sx display and power supply unit, the explosionproof versions of the stainless-steel pallet scales are the optimal weighing solution for zones 1 and 21. All these system components comply with the ATEX Directive 94/9/EC. The hot-dip galvanized versions can only be used in nonhazardous areas.

Analog or digital weighing interfaces – a question of philosophy

Minimize the installation time of your pallet scale, increase your flexibility, and utilize the benefits of digital (IDNet) weighing systems. Just plug in and start using. Up to 3 weighing platforms can be connected to a single terminal, as well as disconnected and reconnected as often as you like – even for legal applications! Whether in nonhazardous or hazardous areas, the powerful A/D converter of the digital weighing platform guarantees precise and stable measurement values. The A/D converter has an amazing update rate of up to 20 / s as well as very fast stabilization.



The optimal weighing system with the matching display unit

Your weighing process determines your choice of display unit. You can select from a wide range of display units with digital or analog interfaces to the scale. Besides simple weighing, the operating terminals can also be individually configured for your specific application:

- Available interfaces: CL, RS232, RS485, Ethernet, Profibus
- Additional software modules for formula weighing, dispensing, totalization, counting, ...
- Peripheral devices such as printers, external keyboards, ...

Fully certified for the customer!

Save yourself additional costs for certification and installation with the fully certified weighing system. We offer preferred models of hot-dip galvanized pallet scales with analog interface between the scale and a display unit – fully certified by the manufacturer, with all country-specific settings!

Options and accessories – to meet your needs!

Are the standard length of 1260 mm and overall width of 600 mm not what you need? Then you can select the size you require from the following range:

Length: 500 – 1260 mm
Internal width: 450 – 1000 mm

Do you need a wider load-bearing surface? Stainless-steel models are available with a leg width of up to 275 mm.

If an additional leg width of 75 mm is already sufficient, the leg widener is a practical solution for both versions of the pallet scale.



PTA459 with leg widener, wheel set and handle

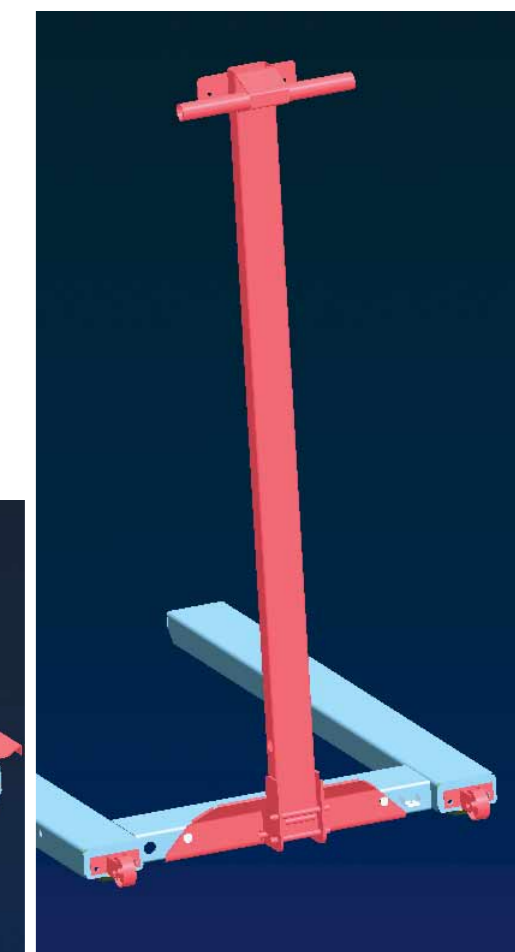


PTA455 with terminal IND425 – fully certified

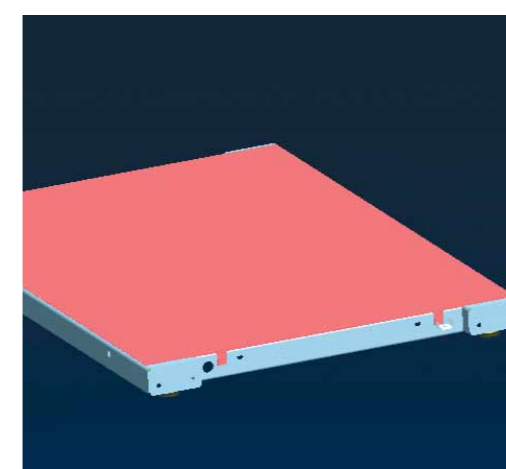
	Leg width	Leg widener
PTA459(x) stainless	•	•
PTA455 hot-dip galvanized	•	•

The optional wheel set gives you greater locational flexibility. With its low weight, the pallet scale can be moved to a different location without problem. For optimal handling, the front forks have built-in handgrips.

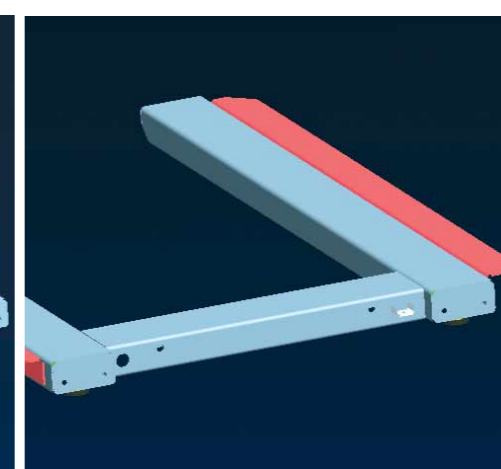
Moving the scale is even easier with the handle: just tilt the scale and roll it away. What's more, you can also mount the terminal on the handle.



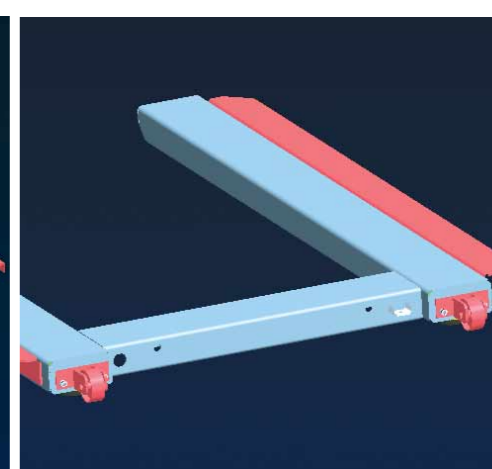
PTA wheel set and handle



Optional load plate



PTA leg widener



PTA wheel set

Design and quality make the difference

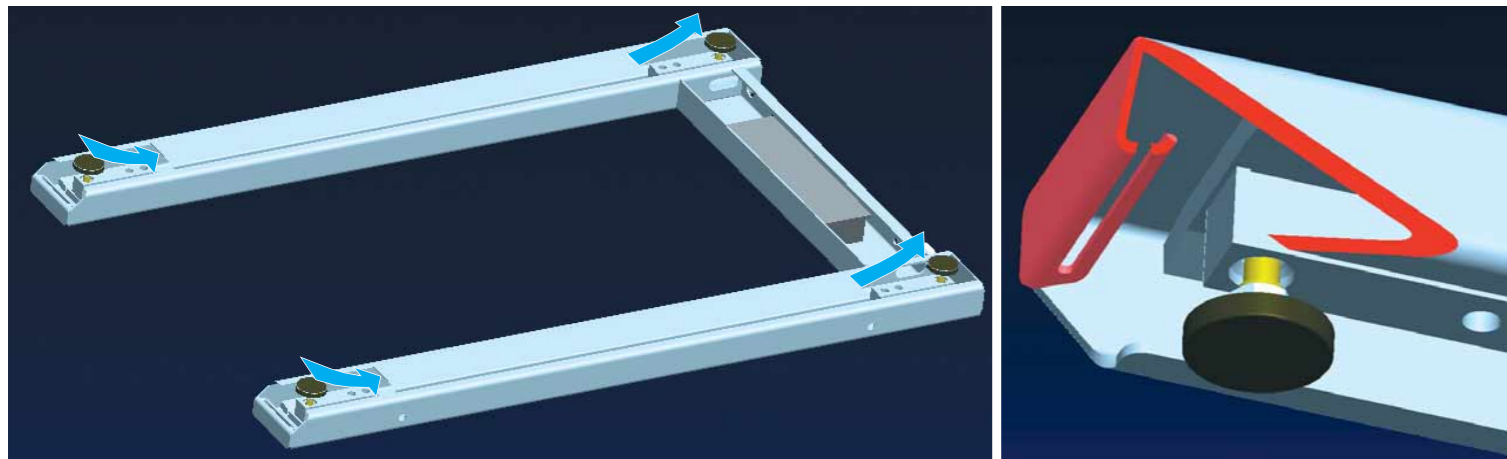
A precision measuring instrument like a scale must deliver permanently exact measurement values even after many years of use in an industrial environment. The key to achieving this is the interplay of innovative technical design – tubular construction of the hot-dip galvanized model and bent/welded construction of the stainless steel model – with high-quality materials and state-of-the-art manufacturing methods.

The open construction makes cleaning very straightforward. Hidden edges and inaccessible corners have been avoided while retaining maximum rigidity. For process validation in the chemical and pharmaceutical industries, certification according to good manufacturing practice (GMP) is required. The stainless steel pallet scale fulfils the GMP criteria and is therefore the optimal solution!

The flexible-rod measuring cells are protected against overloading by an overload stop built into the cell.

Self-alignment of the leveling feet by means of rocker pins guarantees optimal force transmission into the measuring cell at all times.

The handgrip built into the front forks in combination with the wheel set facilitates relocation of the scale.



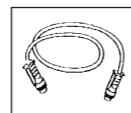
The open construction makes cleaning very straightforward

Built-in handgrip, self-alignment of the leveling feet, overload stop built into the cell.

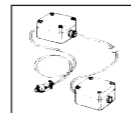
Maximum capacity		kg	300	600	1500	3000
Length of connection cable		m	5			
Protection class	Stainless steel		IP68			
Standard model	Hot-dip galvanized		IP65			
Max. load range (with central loading)		kg	700	1800	3300	3300
e1/Max1		kg/kg	0.1/300	0.2/600	0.5/1500	1/3000
Taring range (subtractive)		kg	From 0 to maximum capacity			
Minimum capacity		kg	2	4	10	20
Zero setting range		kg	+/- 6	+/- 12	+/- 30	+/- 60
Preload range		kg	-6 ... +54	-12 ... +108	-30 ... +270	-60 ... +540
Preload		kg	400	1200	1800	300
Max. static safe load	Central	kg	700	1800	3300	3300
	Side	kg	350	900	1900	1900
	Corner	kg	185	450	950	950
Weighing accuracy						
Repeatability (s)	1 x 3000e	kg	0.04	0.06	0.15	0.3
	1 x 6000e SR					
	2 x 3000e MI 3 x 3000e MR	kg	0.02	0.03	0.07	0.15
Linearity (typical)	1 x 3000e	kg	0.05	0.1	0.2	0.4
	1 x 6000e SR					
	2 x 3000e MI 3 x 3000e MR	kg	0.03	0.05	0.1	0.2

All pallet scales comply with OIML Accuracy Class III and are approved for a temperature range of -10 ... +40 °C.

Accessories



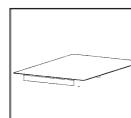
Connection cable extension*
Length 10 m, both ends pluggable, for remote location of the IDNet terminal



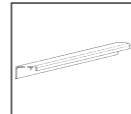
Connection set for IDNet terminal*
for stepless lengthening of the connection cable to 100 m, comprising two terminal boxes, box on terminal side with connection cable 2, 5 m long



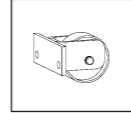
Special cable on reel*
100 m, in conjunction with the connection set for stepless extension of the IDNet terminal connection cable
* Only in conjunction with digital terminals



Optional load plate
chrome-nickel steel



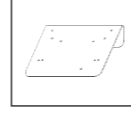
Leg widener
chrome-nickel steel



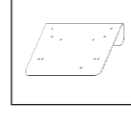
Wheel set, chrome-nickel steel
– with plastic rollers
– with chrome-nickel steel rollers for hazardous areas



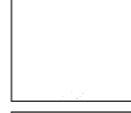
Handle
chrome-nickel steel



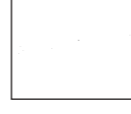
Mounting plate for digital operating terminal,
chrome-nickel steel, for mounting the IDNet terminal on the handle



Mounting plate for analog operating terminal,
chrome-nickel steel, for mounting the IND4 terminal on the handle



Floor stand
chrome-nickel steel



Base
chrome-nickel steel

Conformity

Quality certificates

Worldwide service



Sales and service:

nefton
Ζύγιση
Σημάωση
Συμμόρφωση

Νεύτων Τεχνολογίες ΑΒΕΕ
Γερακά 113, Τ.Θ. 67934
15344 Γερακάς
Τηλ: 210 6654544
Fax: 210 6654545
marketing@nefton.gr
www.nefton.gr

Mettler-Toledo GmbH
CH-8606 Greifensee, Switzerland
Tel. +41 1 944 22 11, Fax +41 1 944 30 60
Internet: http://www.mt.com

AT Mettler-Toledo Ges.m.b.H., A-1230 Wien
Tel. (01) 604 1980, Fax (01) 604 2880

AU Mettler-Toledo Ltd., Port Melbourne, Victoria 3207
Tel. (03) 9644 5700, Fax (03) 9645 3935

BE n.v. Mettler-Toledo s.a., B-1932 Zaventem
Tel. (02) 334 02 11, Fax (02) 334 03 34

BR Mettler-Toledo Indústria e Comércio Ltda.
São Paulo, CEP 06465-130
Tel. (11) 421 5737, Fax (11) 725 1962

CA Mettler-Toledo Inc., Toronto, Canada
Tel. (905) 612-9777, Fax (905) 612-8561

CH Mettler-Toledo (Schweiz) AG, CH-8606 Greifensee
Tel. 1 944 45 45, Fax 1 944 45 10

CN Mettler-Toledo (Changzhou) Scale&System Ltd.
Changzhou City, Jiangsu 213001
Tel. (519) 664 20 40, Fax (519) 664 19 91

CZ Mettler-Toledo, s.r.o., CZ-100 00 Praha 10
Tel. (2) 72 123 150, Fax (2) 72 123 170

DE Mettler-Toledo GmbH, D-35353 Giessen
Tel. (0641) 50 70, Fax (0641) 52 951

DK Mettler-Toledo A/S, DK-2600 Glostrup
Tel. (43) 27 08 00, Fax (43) 27 08 28

ES Mettler-Toledo S.A.E., E-08908 Barcelona
Tel. (93) 223 76 00, Fax (93) 223 76 01

FR Mettler-Toledo s.a., F-78222 Virafloy
Tel. (01) 309 717 17, Fax (01) 309 716 16

HK Mettler-Toledo (HK) Ltd., Kowloon HK,
Tel. (852) 2744 1221, Fax (852) 2744 6878

HR Mettler-Toledo, d.o.o., CR-10000 Zagreb
Tel. (1) 29 20 633, Fax (1) 29 58 140

HU Mettler-Toledo Kft, H-1139 Budapest
Tel. (1) 288 4040, Fax (1) 288 4050

IN Mettler-Toledo India Pvt Ltd, Mumbai 400 072
Tel. (022) 2857 0808, Fax (022) 2857 5071

IT Mettler-Toledo S.p.A., I-20026 Novate Milanese
Tel. (02) 333 321, Fax (02) 356 29 73

JP Mettler-Toledo K.K., Shiomi, J-Osaka 540
Tel. (06) 6949 5901, Fax (06) 6949 5945

KR Mettler-Toledo (Korea) Ltd., Seoul (137-130)
Tel. (02) 3498 3500, Fax (02) 3498 3555

MY Mettler-Toledo (M) Sdn.Bhd., 40150 Selangor
Tel. (03) 7845 5773, Fax (03) 7845 8773

MX Mettler-Toledo S.A. de C.V., Mexico CP 06430
Tel. (5) 547 5700, Fax (5) 541 2228

NL Mettler-Toledo B.V., NL-4000 HA Tiel
Tel. (0344) 638 363, Fax (0344) 638 390

NO Mettler-Toledo A/S, N-1008 Oslo
Tel. (22) 30 44 90, Fax (22) 32 70 02

PL Mettler-Toledo, Sp. z o.o., PL-02-822 Warszawa
Tel. (22) 545 06 80, Fax (22) 545 06 88

RU Mettler-Toledo AG, 10 1000 Moskau
Tel. (095) 921 68 12, Fax (095) 921 63 53

SE Mettler-Toledo AB, S-12008 Stockholm
Tel. (08) 702 50 00, Fax (08) 642 45 62

SEA Mettler-Toledo (SEA), Reg. Office, 40150 Shah Alam
Tel. (03) 7845 5373, Fax (03) 7845 3478

SG Mettler-Toledo (S) Pte. Ltd., Singapore 139959
Tel. (65) 6890 0011, Fax (65) 6890 0012

SK Mettler-Toledo, service s.r.o., SK-83103 Bratislava
Tel. (7) 525 2170, Fax (7) 525 2173

SI Mettler-Toledo, d.o.o., SI-1236 Trzin
Tel. (1) 562 1801, Fax (1) 562 1789

TH Mettler-Toledo (Thailand), Bangkok 10310
Tel. (02) 723 0300, Fax (02) 719 6479

TW Mettler-Toledo Pac Rim AG, Taipei
Tel. (02) 2657 8898, Fax (02) 26557 0776

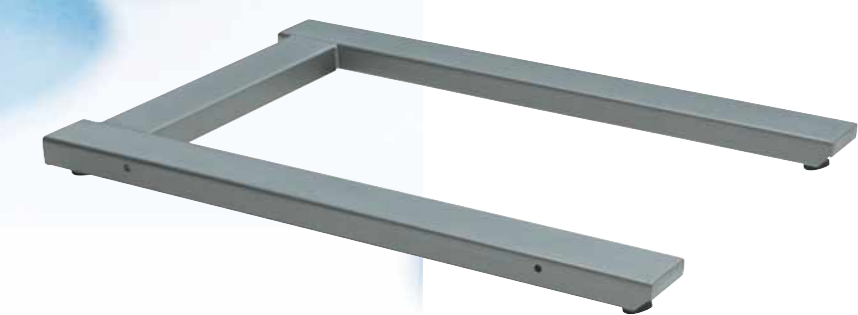
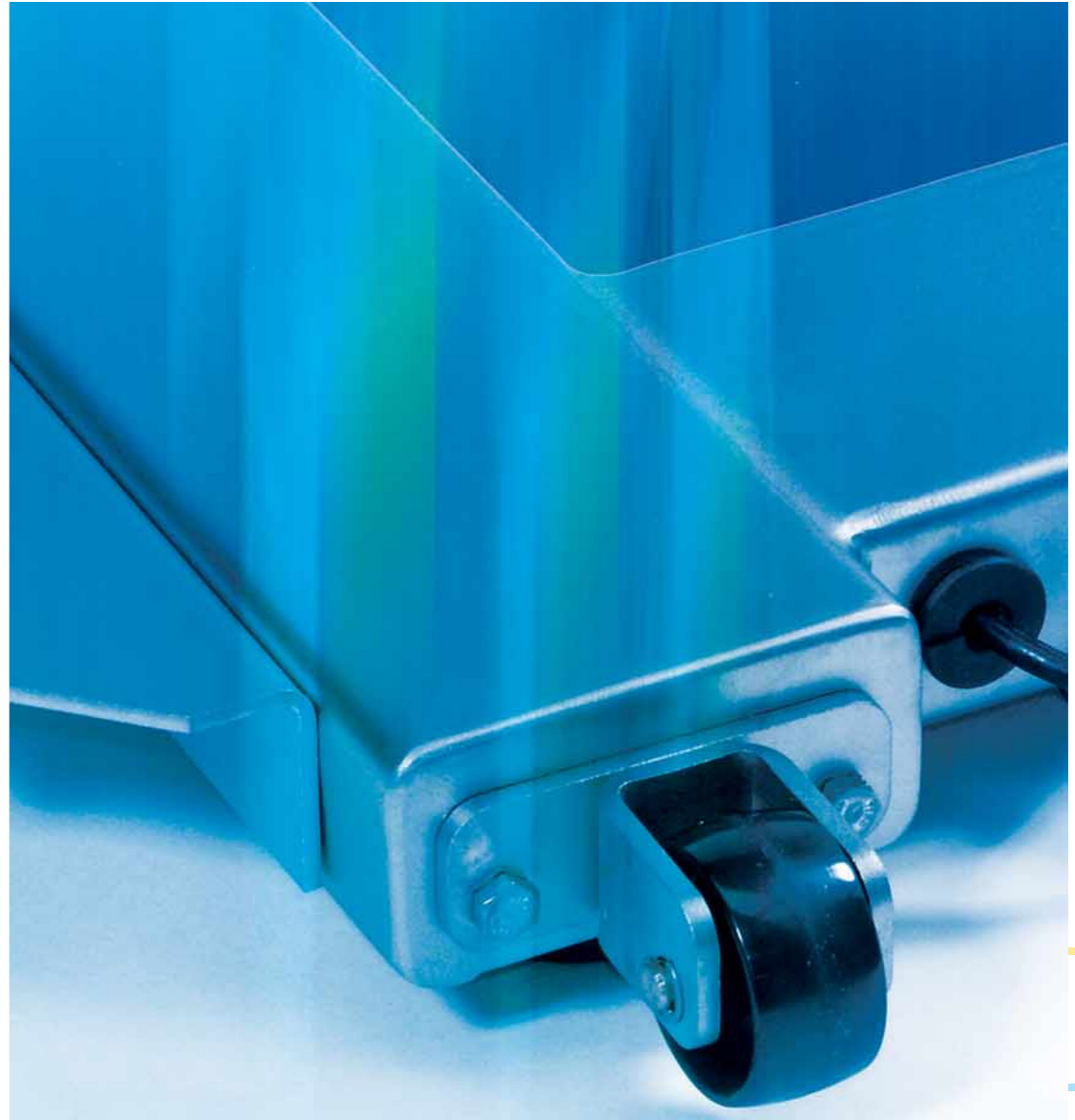
UK Mettler-Toledo Ltd., Leicester, LE4 1AW
Tel. (0116) 235 0888, Fax (0116) 236 5500

US Mettler-Toledo, Inc., Columbus, Ohio 43240
Tel. (614) 438 4511, Fax (614) 438 4900

For all other countries: **Mettler-Toledo GmbH**
PO Box VI-400, CH-8606 Greifensee
Tel. +41 1 944 22 11, Fax +41 1 944 31 70

www.mt.com

• Rugged and reliable
• Various load capacities
• Several resolutions
• Tailored solutions
• Numerous options & comprehensive accessories



A pallet scale for every situation



EX
GMP

PTA455 / PTA459 pallet scale

For maximum flexibility when weighing pallets:

- in goods receiving/shipping
- in manufacturing
- in packaging