

Crayon Plus

drop-on-demand coders ■ ■ ■



Our technology ■ ■ ■

The Crayon Plus' patented and proven drop-on-demand valvejet technology and its unique design allow for both high quality coding and seamless integration onto all manufacturing lines.

Characterized by its ultra compact size, the Crayon Plus is perfect for one side case coding in typical packaging environments.

Your benefits ■ ■ ■

Simplicity – One click, plug-in ink cartridge, 4-line graphic display, WYSIWIG print preview and intuitive, international interface for trouble-free operations.

Performance – Consistent, quality printing up to 15 mm marking distance with automatic print speed and direction sensors for full control. Print speed up to 60 m/min.

Uptime – Low ink level alert enables ink cartridge replacement in seconds - without stopping production.

Flexibility – 7 or 16 nozzle printheads available for 1 or 2 lines of text. Choice of 4 water based ink colours (black, red, blue and green) for porous surfaces. Wide range of variable settings and formats to personalize messages and more than 228,000 Unicode characters available to comply with local and export markets.



markem·imaje

the team to trust ■ ■ ■

Crayon Plus specifications ■ ■ ■

Print features ■ ■ ■

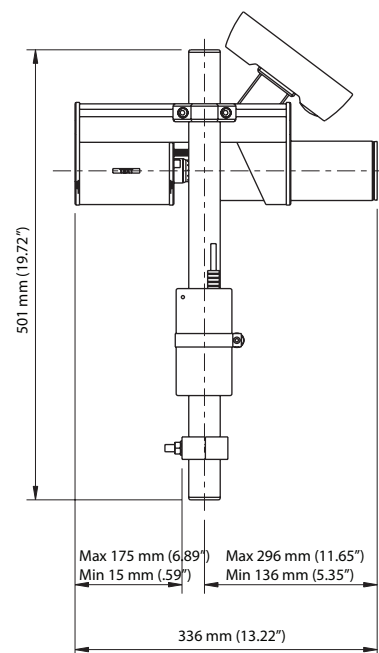
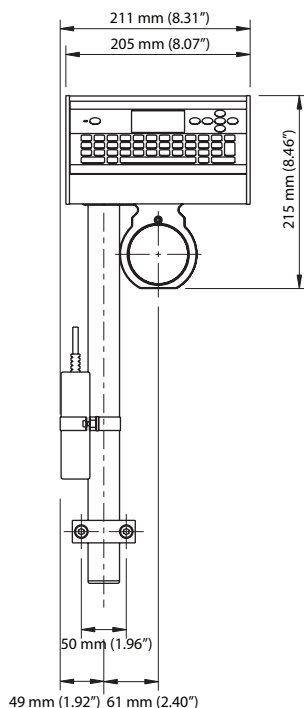
- 4 water based ink colors - black, red, blue and green - for porous surfaces
- 7 nozzle printheads to print 1 line of 12 mm or 1 line of 20 mm
- 16 nozzle printhead to print 1 or 2 lines of 20 to 44 mm
- Prints text, time, date, 2 expiration dates, shift code, 2 counters (automatic numbering), more than 22,000 Unicode characters
- Message length up to 100 characters
- Character width adjustment
- Print delay for message placement. Easy print positioning on cases
- Top and side printing
- Up to 15 mm between the printhead and the object
- Standard or upside down printing
- Print direction from right or left
- Print speed up to 60 m/min
- Ink circuit:
 - Internally regulated and factory set
 - No adjustments needed
 - 400 ml pre pressurized ink cartridge with ink level alarm

Operations ■ ■ ■

- One button only, to activate/deactivate print
- Operator interface: 4-line graphic display, 128 x 64 pixels
- 50 x 100 characters messages in memory
- Interface available in 28 languages: Arabic, Brazilian, Bulgarian, Chinese (simplified), Chinese (traditional), Croatian, Czech, Danish, Dutch, English, Farsi, Finnish, French, German, Greek, Hebrew, Hungarian, Italian, Japanese, Norwegian, Polish, Portuguese, Romanian, Russian, Slovenian, Spanish, Swedish, Turkish
- 9 different character sets: Arabic, Cyrillic, Chinese (simplified), Chinese (traditional), Greek, Hebrew, Kanji, Katakana, Latin
- Instructions can be given in one language while messages can be printed in another language and/or character set

Other characteristics ■ ■ ■

- Integrated object detection photocells
- Shipping weight of 4 kg
- Operating temperature: 10°C to 40°C
- Voltage: 100-240 V AC, 50/60 Hz
- All included: brackets, cable, manual etc



To learn more visit, www.markem-imaje.com



We reserve the right to amend the design and/or specifications of our products without notice.

9, rue Gaspard Monge
B.P. 110
26501 Bourg-lès-Valence Cedex - France
Tel.: +33 (0) 4 75 75 55 00
Fax: +33 (0) 4 75 82 98 10

150 Congress Street
Keene, NH 03431
United States of America
Tel.: +1 800-258-5356
Fax: +1 603-357-1835


markem·imaje

A  Company