

# EASY. SMART. READY.

9018



9018

# 9018: EASY. SMART. READY. ■ ■ ■

A state-of-the-art inkjet coder that brings you the innovation you deserve with the simplicity you require. Start work immediately and efficiently with the 9018 from Markem-Imaje, your marking and coding partnering supplier of choice.



## RUN IT IN JUST A FEW MINUTES! IT'S THAT EASY ■ ■ ■

### EASY TO PRINT

Quickly create or upload your codes via the newly designed user interface and USB connection.

### EASY TO INSTALL & MAINTAIN

Move it and install it anywhere according to your needs – even in harsh environments thanks to its robust IP54 fully stainless steel design.

### EASY TO RUN

Intuitive online guide to manage your coder daily **on your own** more efficiently.

## SMART NON-STOP PRODUCTION FOR TWO YEARS\* ■ ■ ■

### THE SMARTEST INK CIRCUIT: M6'

At the heart of your 9018, the **M6'** can be changed in **less than six minutes and on your own**. Simply click it into place and click it out.

### SMART CONSUMABLE. NO SET-UP REQUIRED

With its **innovative cartridge** system design, you'll experience advanced consumable management.

**New line of high adhesion inks** capable of coding on the most difficult substrates, including a **quick-drying MEK-free ink**.

**Constant quality print.** Cartridges are automatically managed thus printing parameters adjusted.



## READY TO PRINT, OUT OF THE BOX! ■ ■ ■

**Can be easily stored for weeks**, and jet stability linked to start-up will remain perfect.

**Start-ups are simple** and carried out in no time via the latest generation printhead cleaning system. Plug it and start printing!

## WIDE APPLICATION COVERAGE ■ ■ ■



Flexible packaging, rigid plastic, paper-based containers, liquid cartons, polymers

## PRINTING CAPABILITIES ■ ■ ■

<b>2 printing modes</b>	<b>STANDARD SPEED MODE</b> MAX SPEED: 0.60 m/s Standard speed mode	<b>HIGH SPEED MODE</b> MAX SPEED: 1 m/s High speed mode	
<b>Multi-line</b>	<b>9000 SERIES</b> <b>CIJ PRINTERS</b> <b>3 LINES - 7 DOTS</b> 3 lines, 7 dots	<b>9000 SERIES</b> <b>CIJ PRINTERS</b> <b>4 LINES - 7 DOTS</b> <b>G HEAD</b> 4 lines, 7 dots	
<b>Capability to mix different character heights</b>			
<b>Bold characters</b>			
<b>Chimney characters</b>			
<b>Logos</b>	24 dots	24 dots	20 dots

## PRINTING DIMENSIONS WITH G HEAD ■ ■ ■

### G head



## ALPHABETS ■ ■ ■

### Character height in dots

	5	7	9	11	16	24
Cyrillic		•			•	•
Latin	•	•	•	•	•	•
Arabic		•			•	•
Chinese				•	•	•
Russian		•		•	•	
Greek		•			•	•
Hebrew	•	•			•	•
Japanese				•		•
Korean		•	•	•		
Thai		•				

### Japanese

賞味期限 17.12.31  
 製造年月日 17.11.15  
 製造所固有記号 BM36/4

### Korean

제조일자: 2017.11.16  
 유통기한: 2017.11.15  
 제조번호: K201111151

### Chinese

生产日期 2017-01-21  
 保质期 2017-07-20

### Russian

ААТА ИБГ. 1452  
 ГОАЕН АО 17.05.



## PRINT FEATURES

- ▶ Mono-jet printhead
- ▶ G head (printing resolution: 71 dpi)
- ▶ Up to 4 lines of print
- ▶ Print speed: up to 3 m/s
- ▶ Font height from 5 to 24 dots
- ▶ Character height: from 1.8 to 8.7 mm
- ▶ Wide choice of characters (Latin, Arabic, Cyrillic, Greek, Japanese, Chinese, Hebrew, Korean...)

## OPERATIONS

- ▶ Message library (up to 100 messages)
- ▶ International operator/machine interface (choice of 31 languages)
- ▶ Large WYSIWYG backlit blue screen
- ▶ Integrated online guidance for navigation and diagnostics
- ▶ Creation of logos directly on the operator/machine interface
- ▶ USB port
- ▶ M6' ink circuit
- ▶ Jet Speed Control guarantees marking quality
- ▶ Automatic selection of fonts, depending on print speed and printhead/object distance
- ▶ Possibility to choose different types of quick-drying black inks, including MEK-free
- ▶ 2 sealed intelligent cartridges, 0.75 liter each
- ▶ Quick connect/disconnect of accessories (photocell, encoder, alarm)

## OTHER CHARACTERISTICS

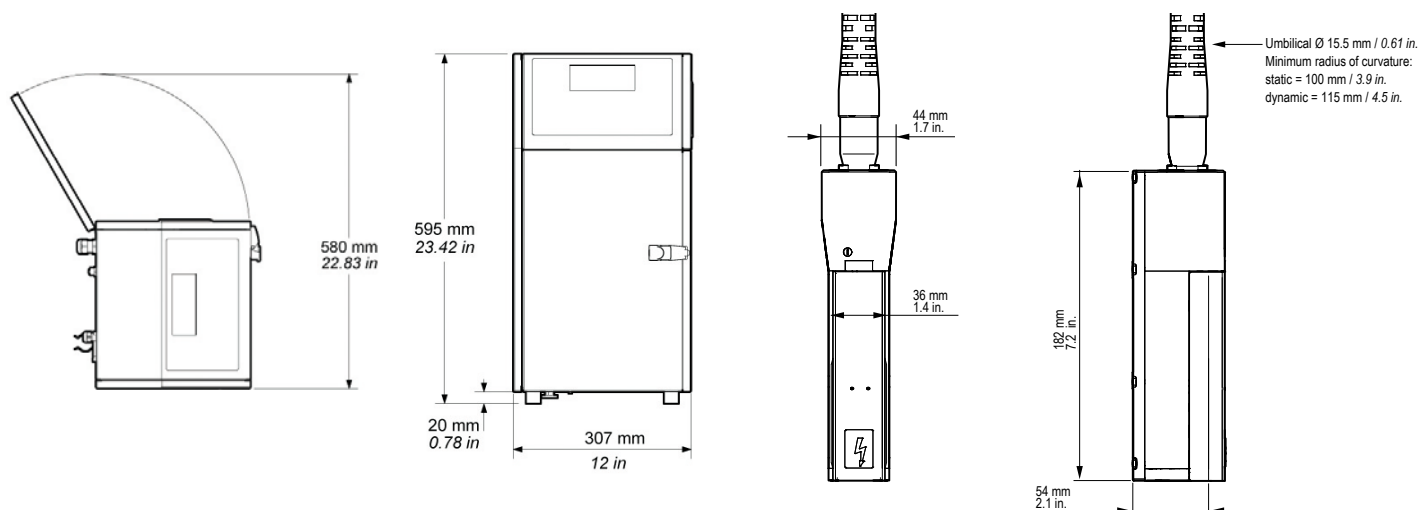
- ▶ Weight: 18.5 kg
- ▶ 2-meter flexible umbilical cable
- ▶ Stainless steel cabinet
- ▶ Dust/humidity protection: IP54 design
- ▶ No plant air required
- ▶ Operating temperature range: 0° to 40° C, depending on ink used
- ▶ Humidity: 10% to 90% non-condensing
- ▶ Electrical power supply: 100-120 V or 200-240 V with automatic switching; frequency 50/60 Hz; power 34 W

## OPTIONS

- ▶ 4-line printing
- ▶ RS-232 connectivity
- ▶ Printhead pressurization kit (plant air required)
- ▶ Encoder and alarm connectivity
- ▶ 3-meter umbilical
- ▶ Dust environment filter kit

## ACCESSORIES

- ▶ Printer supports: stands (stainless steel or aluminum), table or wall mounting bracket
- ▶ Stainless steel printhead cover
- ▶ Photocell
- ▶ Encoder
- ▶ Alarm beacon (24 V)



We reserve the right to amend the design and/or specifications of our products without notice.