

## IND690 Weighing Terminal

Professional Weighing Technology for hygienic sensitive areas



High degree of IP – protection enables high pressure cleaning.

Easy cleaning is provided by an optimized design, confirmed by NSF and EHEDG.

The IND690 can be used worldwide because of it's international Approvals.

Up to 4 analogue or digital scales simultaneous.

AC-power-operation.

10 High performance software application packages.

### Requirements

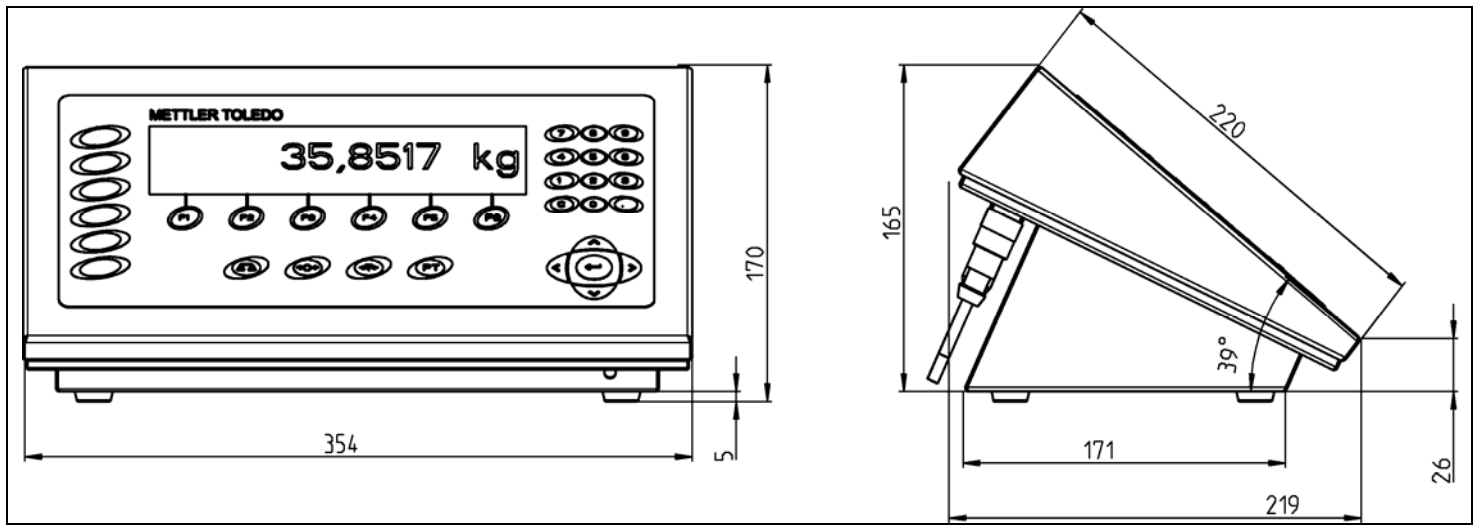
The IND690 is especially designed for harsh environments. If you have one of the following requirements, the IND690 will be the perfect solution!

- Easy cleaning
- High pressure cleaning
- Water- and dust-tight
- Tested to be used in hygienic sensitive areas
- Tested to be used in GMP areas
- World-wide approvals
- Weights- and measures approved
- Easy operation

### Functionality

The very large assortment of Mettler-Toledo weighing technology can be connected to the IND690.

Different data interfaces are available. The standard RS232, but also Ethernet, WLAN or Profibus-DP ease the connection of the IND690 to your IT-environment.

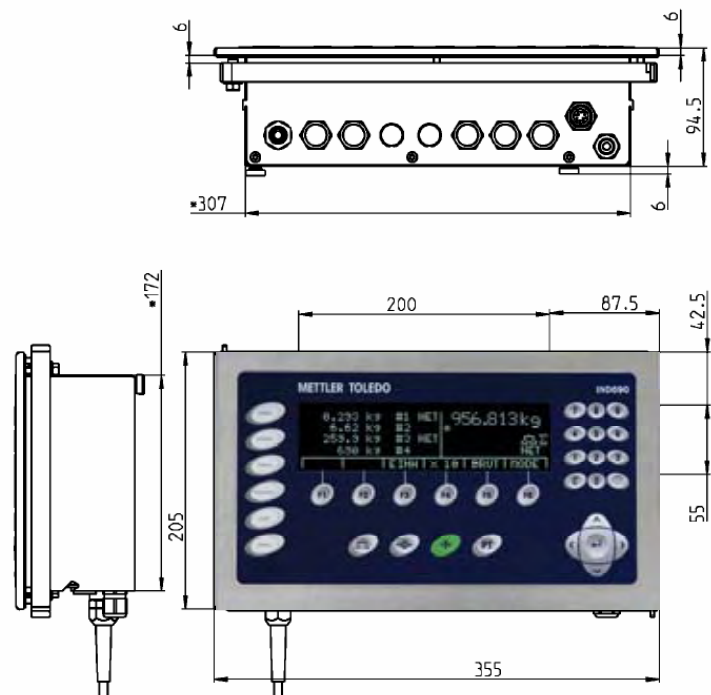


| Enclosure / Environment   |   |
|---|---|
| Housing   | Bench model (angled desktop), suitable for wall mounting. Compact housing for front panel mounting.   |
| Material  | Chrome-nickel steel DIN X5 CrNi1810   |
| Schutzart   | IP69K (DIN 40050): resistant to high-pressure/steam jet cleaning  |
| Ambient Temperature   | -10 ... +40 °C for accuracy class III, 0 ... 40 °C for accuracy class II  |
| Display   |   |
| Active, high-luminance VFD dot matrix display, graphics capability, green |   |
| Screen size, Resolution   | 195 x 46mm, 170 x 40 pixel  |
| BIG WEIGHT® - Display <sup>1</sup>  | Patented, large display, showing weight or other data, characters are up to 35mm high   |
| Display cover   | Scratch-proof, toughened safety glass. For UK and USA: polycarbonate  |
| Keyboard  |   |
| Type  | Three-point membrane keypad with sensed key action, acoustic acknowledgement  |
| Surface   | Closed, smooth surface of heavy duty polyester, with raised, embossed buttons   |
| Key functions   | <ul style="list-style-type: none"> <li>• 6 keys A to F for identification data</li> <li>• 6 function keys F1 to F6</li> <li>• 4 weighing-function keys</li> <li>• Numeric entry keypad</li> <li>• Navigation keypad with Enter-key</li> </ul> |
| Power supply  |   |
| Voltage   | 100-240 V, +10/-15%, 50/60 Hz<br>Or 24V optional  |
| Power input   | 60VA approx.  |
| Interfaces  |   |
| Standard  | 1 x RS232   |
| Optional (maximum 8 more interfaces)                                      | CL20mA, RS232, RS422/485, Ethernet, WLAN, USB (Slave), Bluetooth, Profibus-DP, Digital 4I/O intern or up to 64I/O extern via Relaysbox-8, Analog-Out, PS2/MFII for external keyboard  |
| The interfaces are accessible via IP-protected receptacles                |   |

| Approvals, Assessment |   |
|-----------------------|---|
| Metrology             | NTEP, OIML  |
| Hygiene               | NSF, EHEDG, GMP   |
| EI. Safety            | CSA - C US, CE  |
| IP protection         | IP69K, DIN 40050 (Desk/Wall and front of the Panel-version) |

| Weighing technology                                    |   |
|--|---|
| Connectable platforms                                  | 4 (+ from it calculated sum-scale)  |
| Types of connectable weighing platforms                | IDNet-Scales, SICS-Scales (also via Bluetooth), Analog-Scales (also from other suppliers) |
| Technical Data of the A/D converter for Analog-Scales: |   |
| Impedance  | min. 87,5 Ohm   |
| Excitation voltage                                     | 8.75 V  |
| Sensitivity  | 0 to 3 mV/V   |
| Max. Resolution  | 10.000d (NTEP)<br>7.000e (OIML)<br>450.000d non-approved                                  |
| Min. verification interval                             | 0.58µV / e  |

| Application Software Packages  |   |
|--|---|
| High performance application software packages for special weighing tasks: |   |
| Base-690   | Basic functions, totalizing               |
| Count-690  | Counting, totalizing                      |
| Form-690   | Formulating, totalizing                   |
| Com-690  | Computer dialog mode                      |
| Sum-690  | Totalizing on 3 levels                    |
| Fill-690   | Dispensing                                |
| Batch-690  | Multi-component dispensing                |
| Control-690  | Verifying, classifying                    |
| FormXP-690   | Convenient formulating with PC connection |
| Sys-690  | Free programmable                         |



<sup>1</sup> BIG WEIGHT® is a registered trademark of Mettler-Toledo (Albstadt) GmbH.  
German Patent 197 32 659. European Patent 0 895 071.