

BBA429 – BBA439check – BBA449check+



Picture: BBA449check-A15

Colourful tolerance control – for reliable results

Fast and precise results.
With the METTLER TOLEDO BBA4x9 checkweighing scales you have everything under control all the time!

- IP69K protected
- Complete stainless steel enclosure
- Weights and measures approved for Class III
- EHEDG and NSF compliant design
- GMP certified

Technical data

Enclosure / Environment	
Material	Chrome-nickel-steel (AISI 304, 1.4301)
Ambient temperature	-10° to +40°C for Class III
Humidity	Up to 80% rel., non condensing
Level	Up to 2000m above sea level, indoors
Weight (net)	BBA4x9-A: approx. 9.0 kg BBA4x9-BB: approx. 12.1 kg

Display / Units of weight	
Backlit, 7-digit, 7-segment LC-Display	
Character height	16mm (BBA429), 21mm (BBA439check, BBA449check+)
Units of weight	g, kg, t, oz, lb

Approvals / Assessments	
Metrology	NTEP, OIML
Hygiene	NSF, EHEDG
Pharma industry	GMP
Electrical Safety	CSA – C US, CE, PSE (pending)
IP Protection	IP69K (DIN 40050)

Power supply	
Standard AC power supply	100 to 240 V AC, 47 to 63 Hz, 300 mA Power cord: approx. 2.3 m long
Optional 12 to 24 VDC connection, 1.0A	
Optional battery operation	
Charger	100 to 240 V AC, 47 to 63 Hz, 300 mA Power cord: approx. 2.3 m long
Operation time	9h typ. (continuous operation) 90h typ. ("power off mode" 1 min)
Charging time	6h typ.
Life time	1000 charge-/ discharge cycles typ.

Built-in options and peripherals reduce operation time!

Keyboard	
Material	Polyester (PE)
Number of keys (keys with tactile feedback)	BBA429: 6 BBA439check: 10 BBA449check+: 25

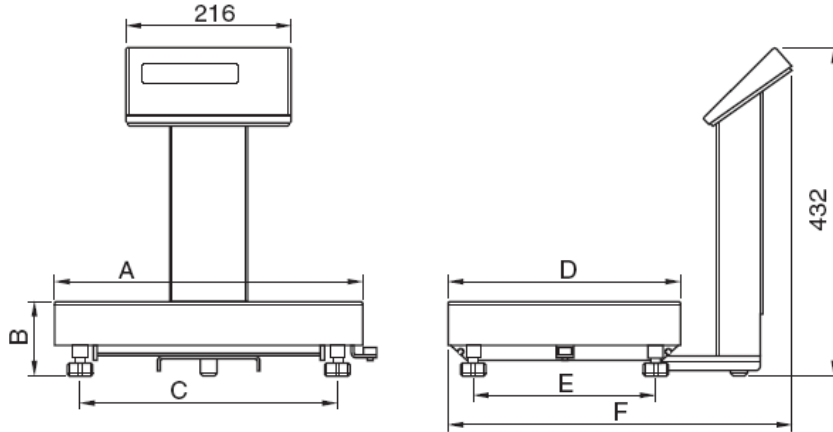
Functionality			
Functions	BBA429	BBA439check	BBA449check+
Zero setting	•	•	•
Taring	•	•	•
Change of unit	•	•	•
Printing /data transfer	•	•	•
MinWeigh	•	•	•
Counting	-	-	•
Info	-	-	•
Identification (2 values)	-	-	•
Date / time	-	-	•
Tare definition	-	-	•
Checkweighing	-	•	•
Numeric display	•	•	•
± application (check, check+)	-	•	•
Bargraph ± display	-	•	•
Colored ± display (colorWeight®)	-	•	•
Input modes for target weights	-	3	3
Input modes for target quantities	-	-	2
Classify (5 classes)	-	-	•
Standard tolerances	-	•	•
«Take-away» mode	-	-	•
Memory for ± data records	-	99	99
Memory for classification parameters	-	-	99
Battery operation (optional)	•	•	•

Interfaces	
Standard	RS232
Optional: <u>one more</u> interface:	RS232
	RS422 / RS485
	Ethernet
	USB (Slave)
	Digital I/O (4 In / 4 Out)
	Wireless LAN

The interfaces are accessible via IP69K protected receptacles at the rear side of the terminal

Analogue weighing technology	
Standard	integrated A/D converter / 1 built-in hermetically sealed stainless steel load cell
Resolution (approvable OIML class III)	2 x 3000e

BBA429 / BBA439check / BBA449check+ dimensions (in mm)



Model	A	B	C	D	E	F
A	300	102.5	235	240	175	380
BB	400	104.5	335	300	235	450

Digital I/O

4 digital In

galvanically isolated via opto coupler
 external: 1 mA (min. 5 V DC)
 8 mA (max. 30 V DC)
 internal: 3 mA (at 12 V DC)

	BBA429	BBA439check	BBA449check+
On / Off	•	•	•
Zero setting	•	•	•
Taring	•	•	•
Printing / transfer	•	•	•
Clearing (Clear key)	•	-	•
Unit switching	•	•	•
Info key	-	-	•
ID1, ID2/REF key	-	-	•
Target key	-	•	•
Recall key	-	•	•
Save key	-	•	•
Arrow right	-	•	-
Arrow up	-	•	-
Arrow down	-	•	-
TakeAway key	-	-	•

4 digital Out

Galvanically isolated via relay contacts
 external: 500 mA (max. 30 V DC) per out
 internal: 400 mA (bei 12 V DC) total outs 1...4

	BBA429	BBA439check	BBA449check+
Stable weight	•	•	•
< / ≥ MinWeigh	•	•	•
Overload / underload	•	•	•
Display asterisk	•	•	•
< tolerance -	-	•	•
Inside tolerance	-	•	•
Target weight	-	•	•
≥ tolerance +	-	•	•
Class 1...5	-	-	•

Accessory for BBA429, BBA439check, BBA449check+

GA46-thermal printer, stainless steel, RS232 interface, 2.5m cable incl.	00505471
GA46- thermal printer, stainless steel, RS232 interface, 0.4m cable incl.	00507229
GA46-W-thermal printer, stainless steel, RS232 interface, 2.5m cable incl., IP65, protective cover, winder.	00505799
GA46-W-thermal printer, stainless steel, RS232 interface, 0.4m cable incl., IP65, protective cover, winder.	00507230
AD1419 auxiliary display, stainless steel (IP69K, RS232, 3m cable incl., display without backlit)	22013962
AD1419 auxiliary display, stainless steel (IP69K, RS232, 3m cable incl., display with backlit)	22014022
RS232 – cable SICS second scale (3m, 8pin <-> 9pin Sub D plug)	22006795
RS232 - cable for PC (3m, 8pin <-> 9pin Sub D female connector)	00504376

RS232 counter plug, 8 pin	00503756
RS422/RS485 - cable (3m, 6pin <-> open ends)	00204933
RS485 counter plug, 6 pin	00204866
Ethernet 10/100 Base T twisted pair cable (5m -> 8pin RJ45)	00205247
Ethernet 10/100 Base T twisted pair cable (20m -> 8pin RJ45)	00208152
USB adapter cable (0.2m -> USB series A female connector)	22006268
USB adapter cable (3m -> USB series A female connector)	22007713
USB cable (3m -> USB series A female connector)	22015326
Relay box for digital I/O option (as for IND690)	22011967
Cable digital I/O option and relay box (10m)	00504458
Power supply for Relay Box (110-230 V AC)	00505544
Digital I/O counter plug, 19 pin	00504461
Protective cover for compact scale BBA4x9 (Set with 3 pieces)	22013992
External battery, stainless steel, IP69K (without charger)	22013988
Charger for external battery	22014056
SICS reference manual 4 Series	22011459

BBA429, BBA439check, BBA449check+

Model	Capacity	Resolution	Order number
BBA429 - A 3	1.5kg / 3kg	0.5g/1g	22015010
BBA429 - A 6	3kg / 6kg	1g/2g	22014800
BBA429 - A 15	6kg / 15kg	2g/5g	22014801
BBA429 - BB 30	15kg / 30kg	5g/10g	22014802
BBA439check - A 3	1.5kg / 3kg	0.5g/1g	22015011
BBA439check - A 6	3kg / 6kg	1g/2g	22014803
BBA439check - A 15	6kg / 15kg	2g/5g	22014804
BBA439check - BB 30	15kg / 30kg	5g/10g	22014805
BBA449check+ - A 3	1.5kg / 3kg	0.5g/1g	22015012
BBA449check+ - A 6	3kg / 6kg	1g/2g	22014806
BBA449check+ - A 15	6kg / 15kg	2g/5g	22014807
BBA449check+ - BB 30	15kg / 30kg	5g/10g	22014808
Standard resolution	2 x 3000d (non approvable)		
Optional resolution	2 x 3000e (approved)		
	1 x 6000d (non approvable)		
	1 x 15000d (non approvable)		
	1 x 30000d (non approvable)		